

<b>Engine</b>	Yanmar 4TNV94L-ZCWLY(C)
<b>Gross Power</b>	35.9 kW (48 hp) @ 2,000 rpm
<b>Net Power</b>	34.5 kW (46.2 hp) @ 2,000 rpm
<b>Maximum Dig Depth</b>	3800±5% mm (12'5"±5%)
<b>Standard Bucket Capacity</b>	0.21 m <sup>3</sup> (0.27 yd <sup>3</sup> )
<b>Operating Weight</b>	5900±5% kg (13,007±5% lbs)

# 906F

EXCAVATOR

 **LIUGONG**



TOUGH WORLD. TOUGH EQUIPMENT.

# 906F SPECIFICATIONS >>>

## ENGINE

Emission Regulation	CHINA IV
Make	Yanmar
Model	4TNV94L-ZCWLY(C)
Gross Power	35.9 kW (48 hp) @ 2,000 rpm
Net Power	34.5 kW (46.2 hp) @ 2,000 rpm
Peak Torque	196.2 - 213.6 N·m (144.71 - 157.54 lbf·ft) @ 1,200±100 rpm
Number of Cylinders	4
Displacement	3.054 L (0.81 L)

## UNDERCARRIAGE

Shoe Width	400 mm (16 in)
Number of Shoes per Side	40
Number of Bottom Rollers per Side	5

## BOOM & ARM

Boom Length	3,000 mm (9'10")
Arm Length	1,600 mm (5'2")

## BUCKET PERFORMANCE

Std. Bucket Heaped Capacity (Referenced)	0.21 m <sup>3</sup> (0.27 yd <sup>3</sup> )
--	---

## TRACK DRIVE

Maximum Travel Speed	2.50±5% / 4.10±5% km/h (1.55±5% / 2.55±5% mph)
Drawbar Pull	57.3 kN (12,881 lbf)

## SERVICE CAPACITIES

Fuel Tank	112 L (30 gal)
Engine Oil	9.4 L (2.5 gal)
Cooling System	8.8 L (2.3 gal)
Hydraulic Reservoir	70.5 L (18.6 gal)

## HYDRAULIC SYSTEM

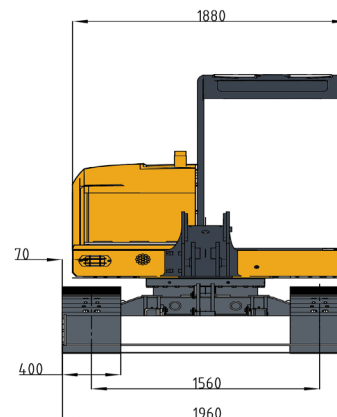
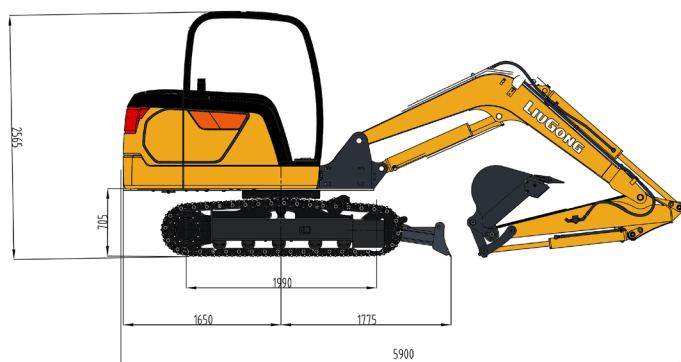
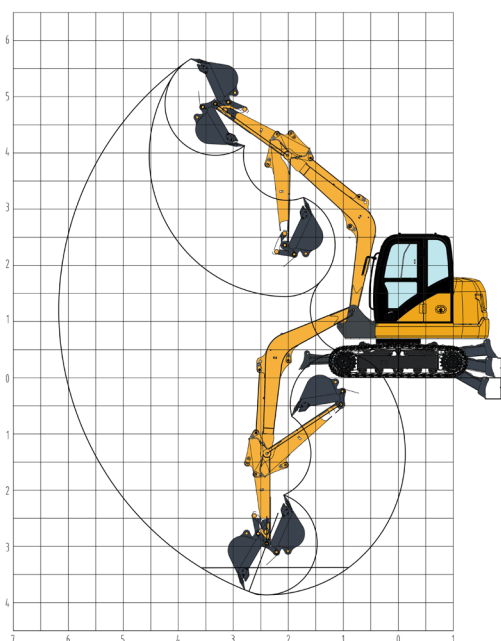
Main Pumps Total Flow	142.8±5% L/min (37.7±5% gal/min)
Relief Pressure, main	25±5% MPa (3,626±5% psi)

## SWING SYSTEM

Swing Speed	10.3 rpm
-------------	----------

## WORKING RANGE

A. Max. Digging Reach	6,220 mm (20'4")
B. Max. Digging Reach on Ground	6,035 mm (19'9")
C. Max. Digging Depth	3,855 mm (12'7")
D. Max. Digging Depth, 2.44 m (8') level	3,380 mm (11'1")
E. Max. Cutting Height	5,675 mm (18'7")
F. Max. Dumping Height	3,955 mm (13')
G. Min. Front Swing Radius	2,430 mm (8')
Bucket Digging Force (ISO)	41±5% kN (9,217±5% lbf)
Arm Digging Force (ISO)	31±5% kN (6,969±5% lbf)



## Guangxi Liugong Machinery Co., Ltd.

No. 1 Liutai Road, Liuzhou, Guangxi 545007, PR China  
 T: +86 772 3886124 E: overseas@liugong.com  
 www.liugong.com

12/2019 Designed by Liugong

Specifications and designs are subject to change without notice. Machines shown may include optional equipment. Liugong standard and optional equipment may vary from region to region. Please consult your Liugong dealer for information specific to your area. Engine power kW is converted to metric hp in this file (1 kW=1.34 hp).